

LAMINEX® PARTITIONING SYSTEMS

FMOB - FLOOR MOUNTED, OVERHEAD BRACED

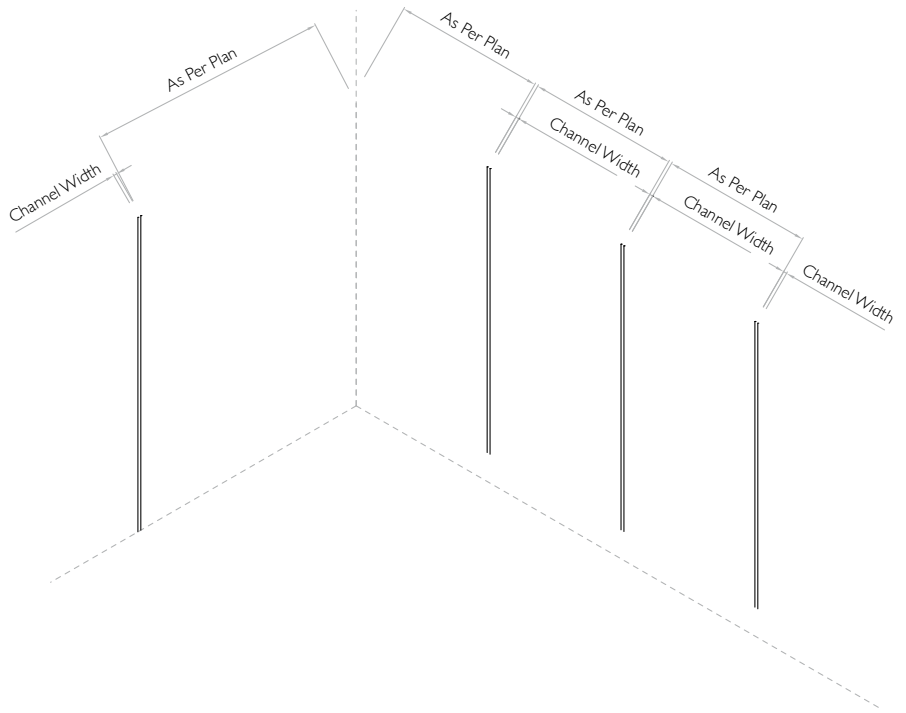


INSTALLATION GUIDE

Laminex®
Inspire your space

STEP 1

Mark out for wall channels to house partitions as per the supplied plan.



Assembly Tool Kit Supplied

1	Phillips head screw bit
1	1/8" drill for 6g screws
1	5/32" drill for 10g screws

Screws per cubicle

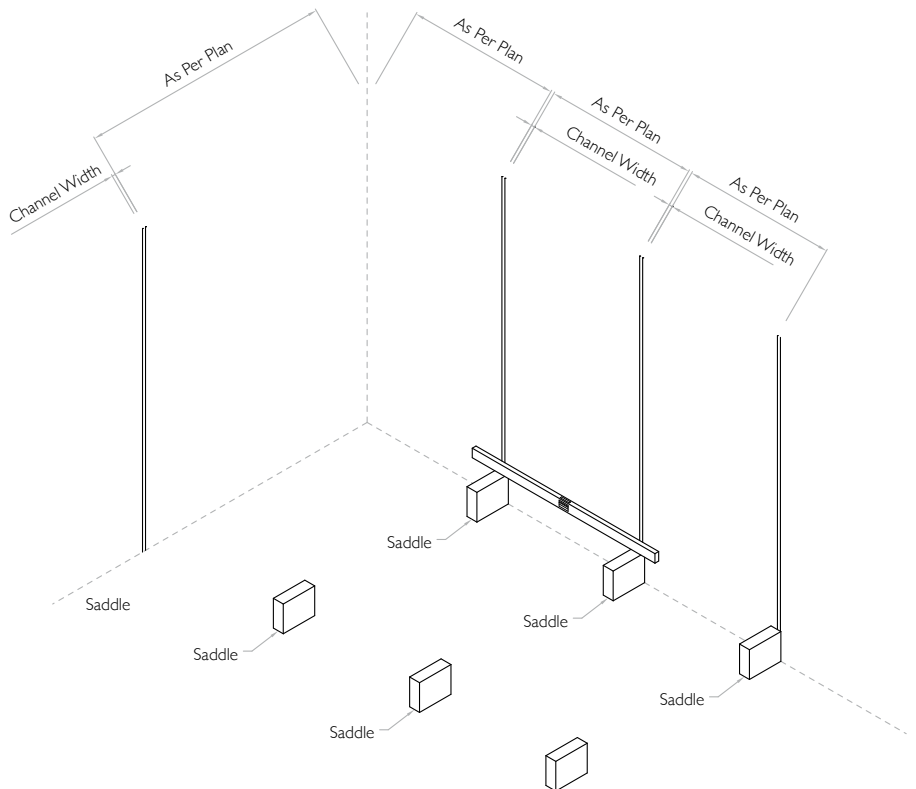
12	8g x 1 1/2"
12	6mm green plugs
15	10g channel screws
4	6g x 3/4" screws (headrail)

STEP 2

Position saddles under the channel markings. With a level, find the HIGHEST saddle which is 210mm (standard) or otherwise nominated on the plans.

Add packing to level all other saddles from the HIGHEST saddle.

Using the standard 210mm saddle height the overall height = 2032mm



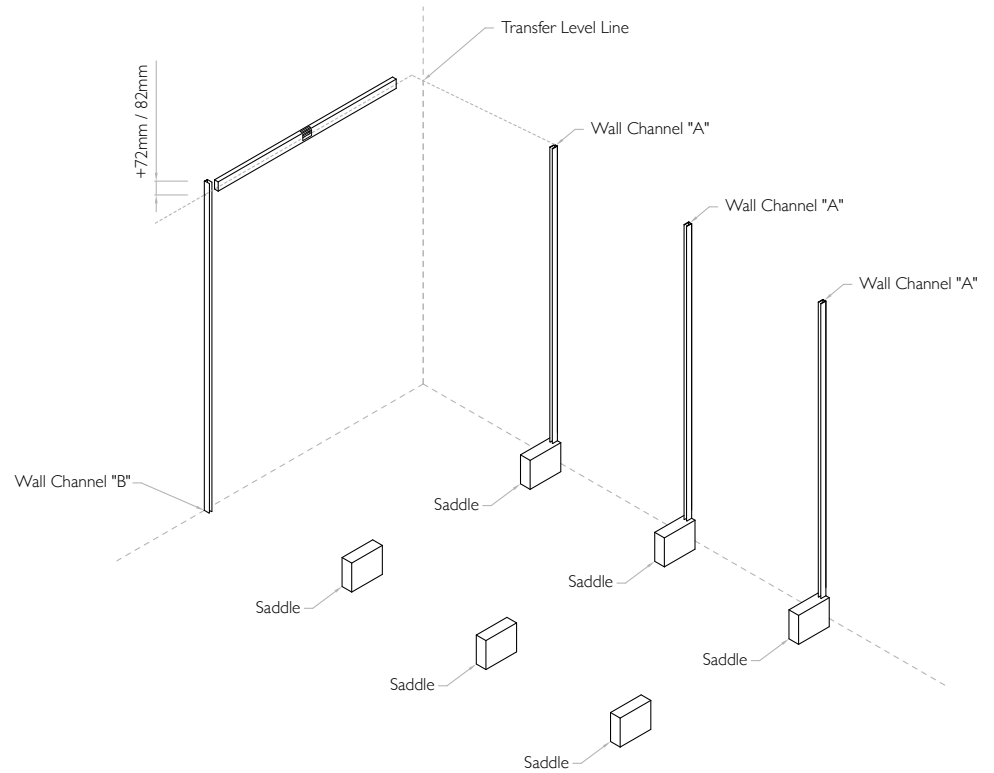
STEP 3

Fix channel "A" to back wall by placing on top of the levelled saddles.

DO NOT CUT

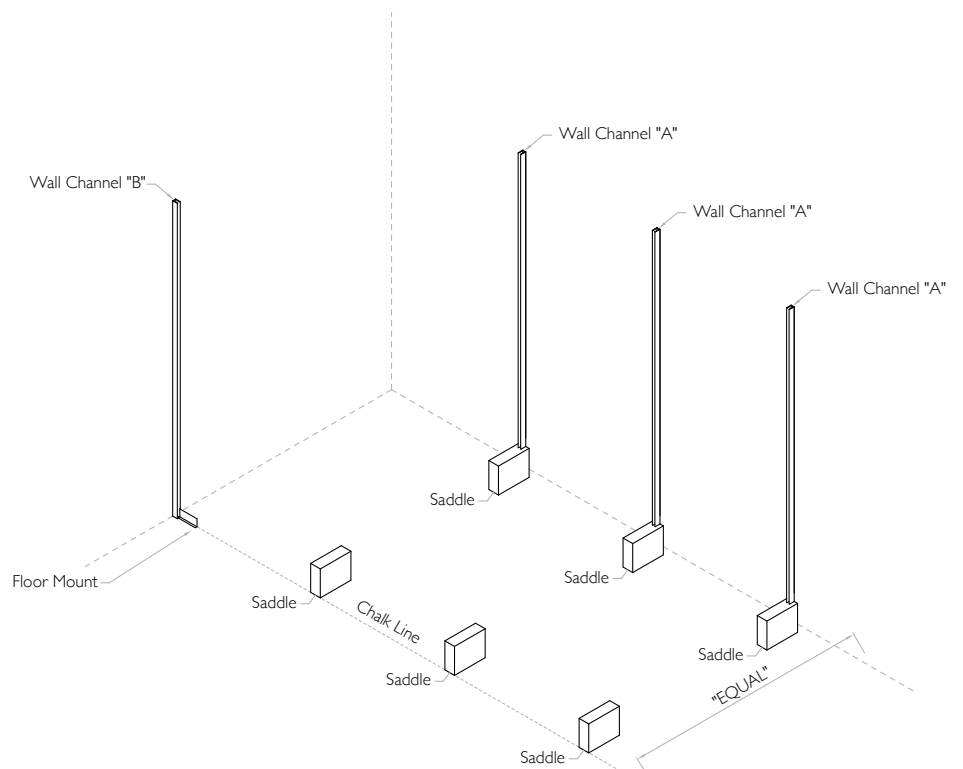
Level across from the top of channel "A" to wall markings for wall channel "B."

To calculate wall channel "B" measure from finished floor level to projected level line and add 82mm for Slimline (standard). Add 72mm for square headrails.



STEP 4

Draw a chalk line level with the inside edge of wall channel "B" to an equal distance from the opposite end. This mark will give you the back edge of the floor mounts.

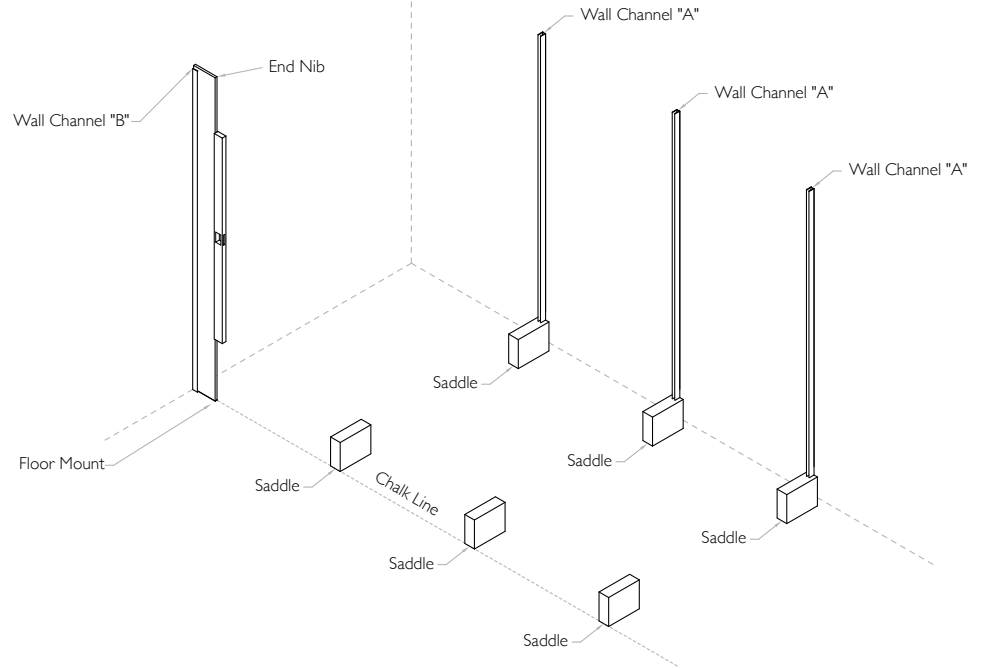


STEP 5

To calculate end nib height add 18mm for slimline headrail or 28mm for square headrail.

Cut the bottom of the end nib to size. Ensure the clean cut faces the exterior of the cubicles. Arris cut edges with a file or edge trimmer.

Fit the end nib to the channel and floor mount.



STEP 6

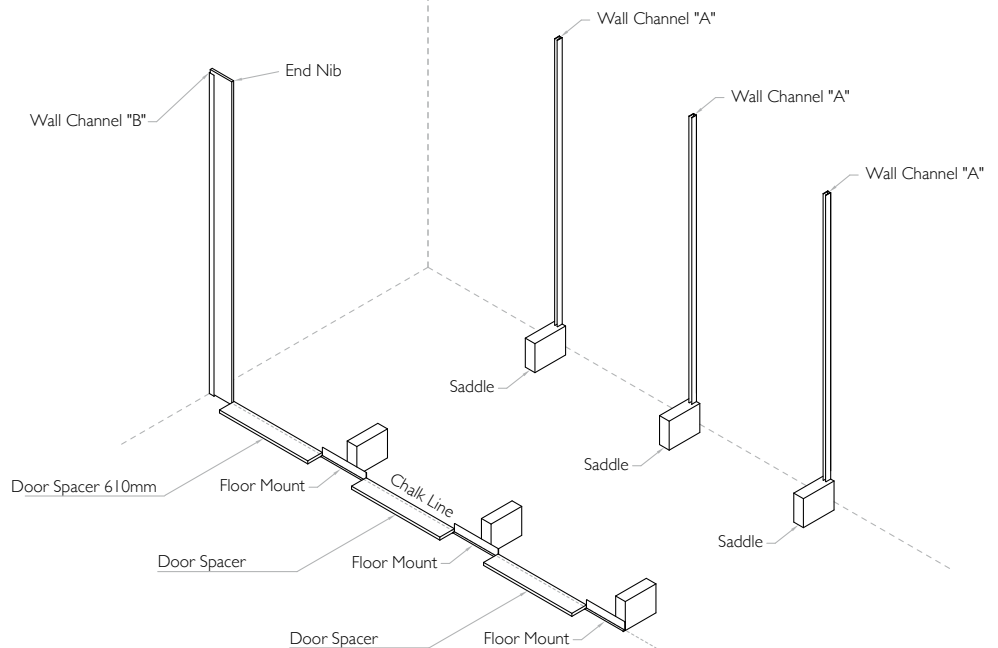
Place door spacers and floor mounts into position to check the overall dimensions.

NOTE: Floor mount size is 10mm smaller than the frontal size.

The floor mount for the end nib is 37mm smaller. 32mm for the channel +5mm clearance.

Door spacer is 10mm bigger than door opening (i.e.) a standard 605mm door opening will have a 615mm door spacer.

The 1st door spacer is 610mm.



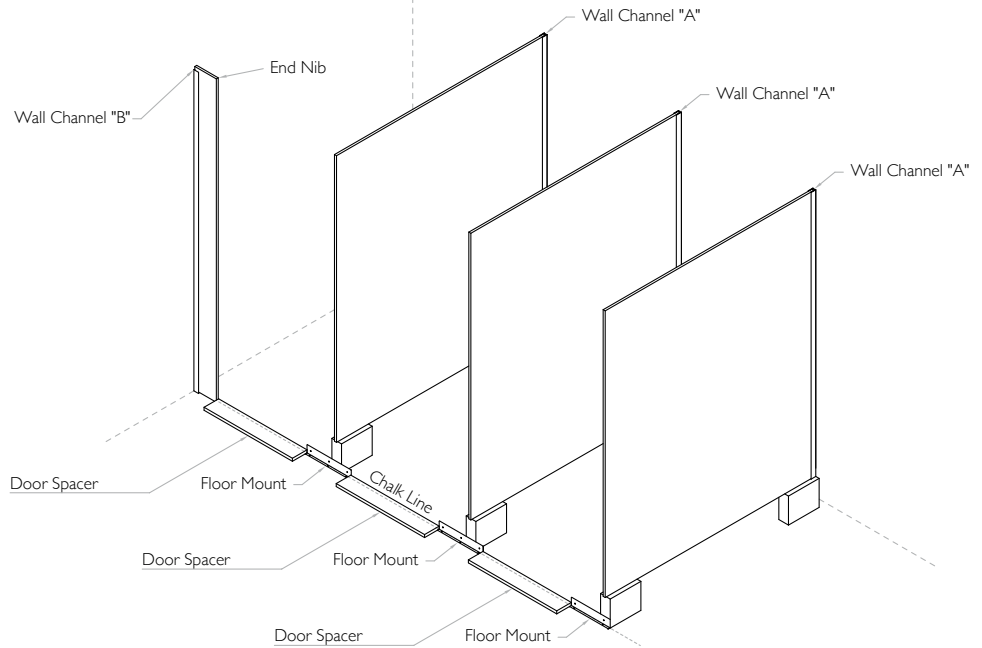
STEP 7

Locate all divisional panels into the rear channels "A" resting onto the saddles.

DO NOT SCREW OFF YET

Fit the floor mount for the corresponding frontal hard against the door spacer.

Ensure that the back is level with the chalk line.



STEP 8

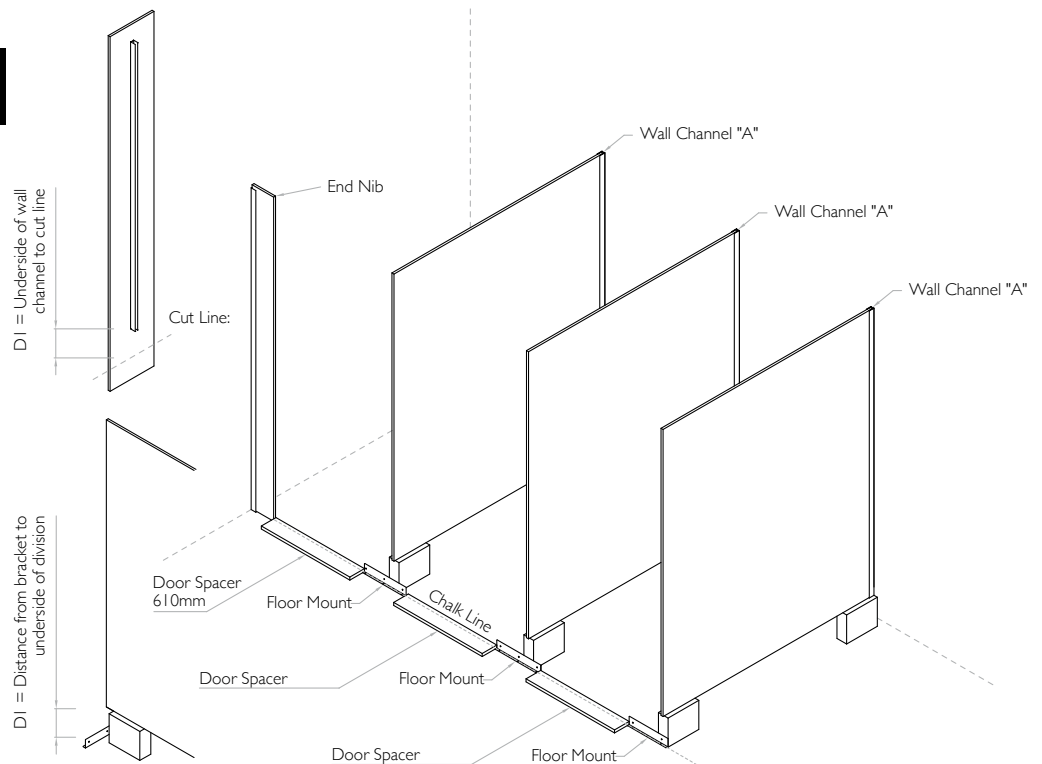
Fit door hardware and hinges to doors, nibs and frontals.

Fit channel "A" to the back of the frontals into the pre-drilled holes.

Measure from the top of the floor mount to the underside of the division. Dimension = DI

Measure from the underside of the wall channel (A) to create your cutting line. Dimension = DI

Cut frontal to length, ensure the clean cut side face outside of partitions. File arris to edges.



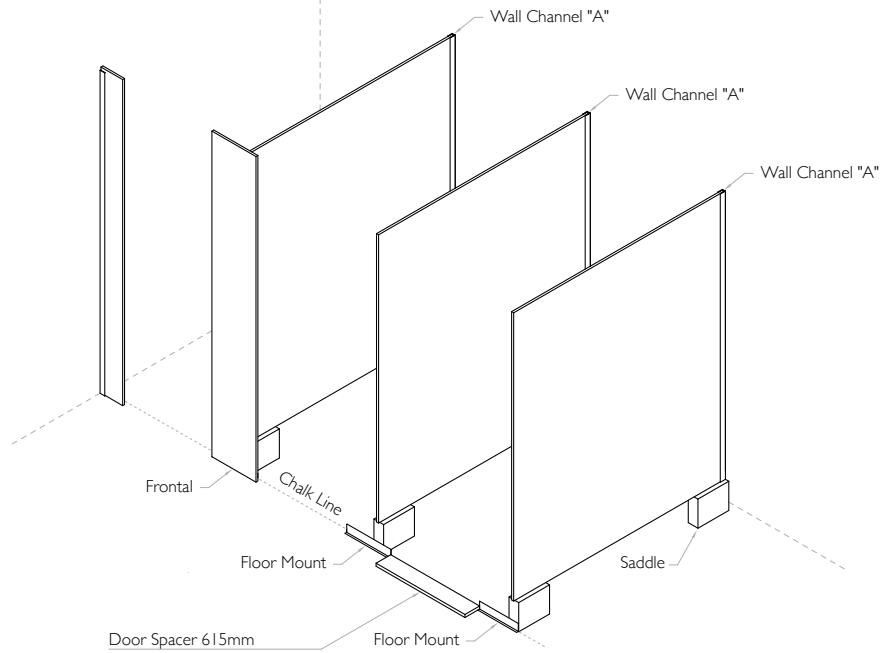
STEP 9

Fit frontal into position.

DON'T SCREW FRONTALS TO DIVISION

DON'T SCREW FRONTALS TO FLOOR MOUNT

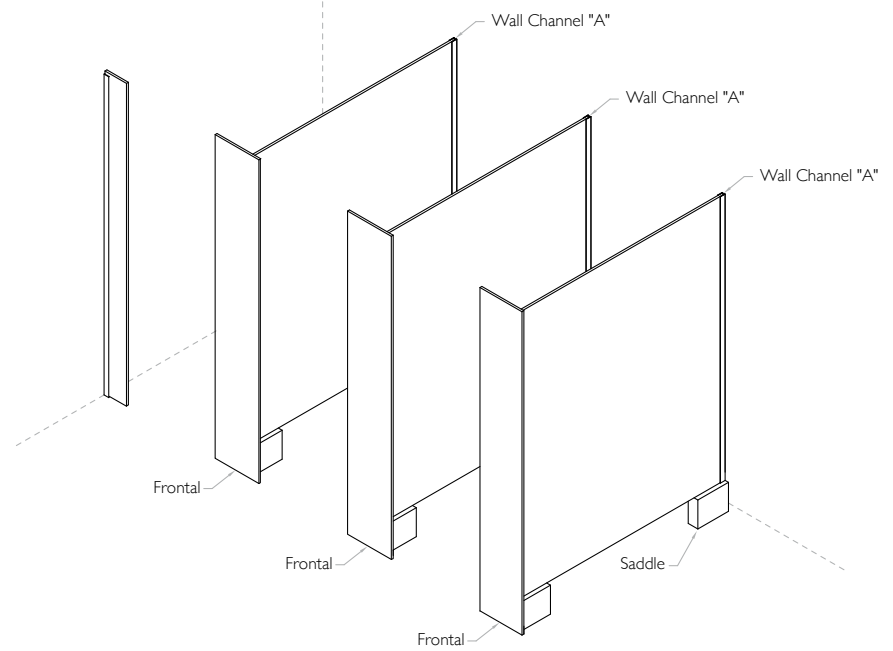
DON'T SCREW DIVISIONS TO BACK WALL



STEP 10

Repeat steps 8 & 9 placing frontals into position.

DO NOT SCREW OFF

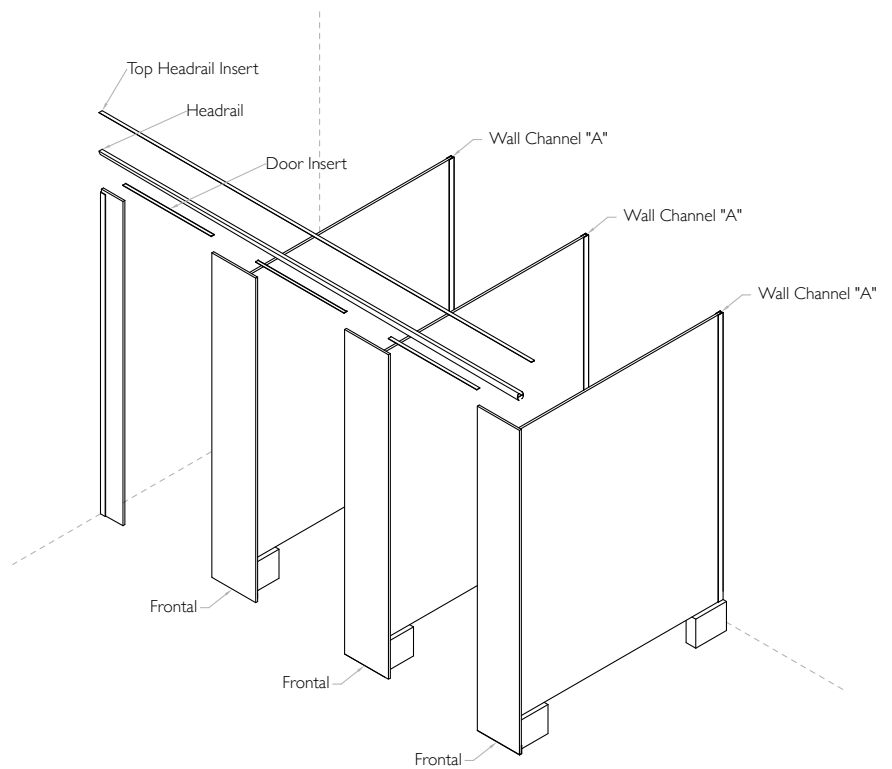


STEP 11

Fit headrail over top of frontals.

Insert door insert above door openings. String line fronts.

Once the fronts are in line proceed to screw of the divisions to the back wall and fronts.



STEP 12

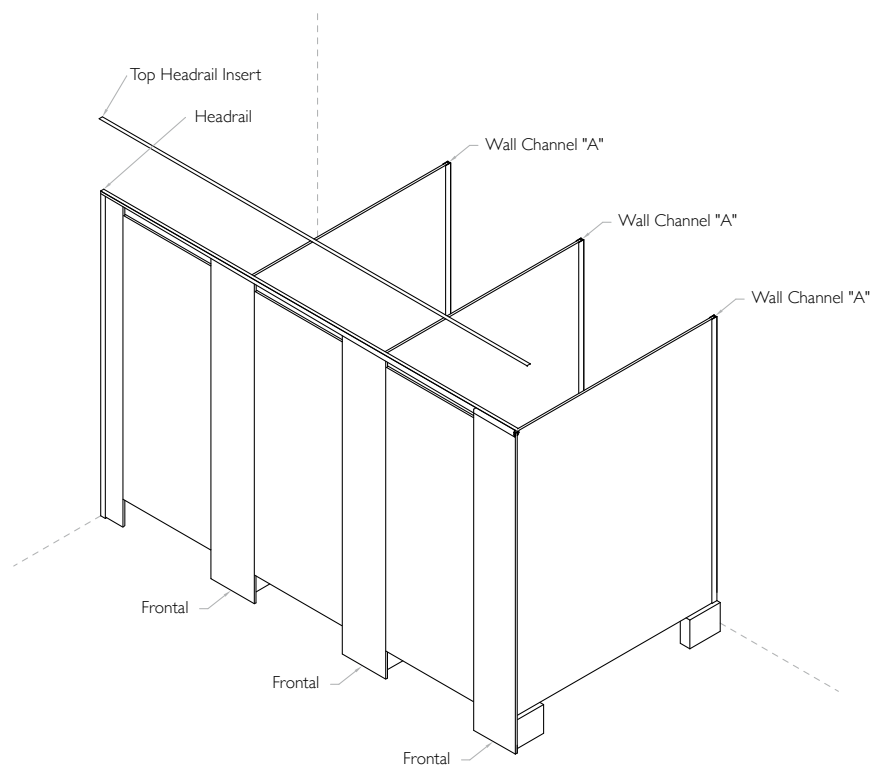
Fit the first door: Use 3mm packing between door and front. When door gaps are parallel, screw off front to the floor mount.

Fix the next door and repeat the last step for all off the doors to the remaining end nib or frontal.

Screw fix headrail into position.

Snap fit insert into headrail.

Once everything has been screwed off remove saddles and clean.



Also available in the Laminex® partitioning range:



Laminex®
Inspire your space

 For more inspiration join us on [facebook.com/thelaminexgroupau](https://www.facebook.com/thelaminexgroupau)

For a sample call 1800 002 204. For more information visit laminex.com.au or call 132 136

Laminex Partitioning Systems are marketed and distributed by Laminex Group Pty Limited ABN 98 004 093 092, trading as Laminex.

The colours of the products featured within the imagery in this brochure are as close to the Laminex Partitioning Systems range as photographic lighting and our printing processes allow. Different camera angles, although not designed to be misleading, can sometimes distort actual size and distances. Laminex Partitioning Systems range is no different than any other material in that darker colours will always show scratches and superficial wear and tear more readily than lighter colours. Laminex Partitioning Systems should be protected from strong, direct sunlight as continuous exposure may cause discolouration or fading to the surface. Please obtain a copy of the terms and conditions of the applicable warranties from laminex.com.au. This warranty is in addition to any rights that may exist under the Australian Consumer Law. Laminex®