

LAMINEX® PARTITIONING SYSTEMS

FAOB - FOOT ASSEMBLY, OVERHEAD BRACED



INSTALLATION GUIDE

Laminex®
Inspire your space

Installation Instructions

Before Ordering

Please make sure a 'check measure' is completed before ordering systems.

When Setting Out

Please make sure you check on site that all of the plumbing outlets are positioned as shown on the specifications and drawings. Also make sure the partitions meet not only the wall correctly, but all council requirements too.

Check that the windows are positioned in between cubicles and make sure they don't interfere with any wall fixings. Specified PC items should fit within the cubicle and the door should be allowed to swing freely.

Partitions should line up with floor and wall tiles and avoid interference to light fittings and air conditioning ducts. Please measure partitions so that they fall within the above points and also check walls for plumb, the floor for level and make sure the height you set off the floor falls within the adjustment range of the legs.

All aluminium wall sections must be firmly fixed to walls with masonry plugs or other suitable fixing ways.

Storage and Handling

Make sure your storage area is protected from the sun, rain and wind (open-sided sheds are not considered suitable dry storage areas).

All packs should be evenly supported at each end and at intervals no more than 750mm wide. All supports should be vertically aligned where packs are multiple stacked. Ideally your work area should be clean to avoid scratching and/or marking, so keep an eye out for abrasive surfaces or grit. And don't forget to be careful when lifting the sheets. Minimise leaning panels against walls for long periods of time to avoid panels from bowing.

Pre-conditioning

Please make sure all board panels are conditioned to their final environment for at least one week before use or fitting because changes in relative humidity mean dimensional changes in wood based panels can happen.

Edging

All panels must be sealed as specified.

Processing

When accurate dimensions are provided, **Laminex Partitioning** systems are supplied with panels and components accurately cut and almost completely pre-drilled. However, in the event of further processing being necessary, Laminex Structural, Multipurpose Partitioning Systems can be cut, drilled and machined using standard wood-work tools.

All Laminex Structural, Multipurpose Partitioning Systems edges are factory edged or sealed. ***If site cutting for installation is necessary, it is critical that cut edges are well sealed:***

Cut Laminex Structural Partitioning Systems edges should be sealed with the Lamiseal silicon provided with the **Laminex Partitioning** systems. Any exposed edges (i.e. edges that are not fitted into a channel) should not be site cut as the only suitable exposed edge for the Laminex Structural Partitioning Systems is the 2mm ABS that the panels are factory edged with.

Cut **Laminex Multipurpose Compact** laminate edges can be lightly sanded. An oil such as linseed oil will protect and enhance these edges.

Installation

An installation plan, installation instructions and tool kit are included with each **Laminex Partitioning** system supplied. All channels are coded on the back surface to correspond with the plan. Non-standard systems may require cutting and drilling on site for the channels.

Screwing

The **Laminex Partitioning** systems are supplied with all necessary screws and wall plugs packed in individually labelled packs.

Remember, it's very important not to fix screws closer than 25mm from the corner of the board and don't over tighten screws as further turning after the screws are tight will, in fact, reduce the holding power.

Correct pilot holes are essential to avoid splitting. They should be 2mm to 3mm longer than the screw used and should be approximately 90% of the screw core diameter. For necessary holes that are not supplied pre-drilled, the correct drill bits and driver bit are included with the **Laminex Partitioning** systems. Care should be taken not to pre-drill holes through to the other side of the panel, particularly with 13mm **Laminex Multipurpose Compact** laminate.

Foot Assembly

The standard aluminium foot assemblies, including screws, are provided with the **Laminex Partitioning** systems. The floor level should, of course, be checked before installation. Support blocks are supplied with the Partitioning Systems for levelling the panels prior to fixing the foot assemblies into place. An Allen key for adjusting legs is provided.

Optional concealed fixing foot assemblies are available, to conceal screw holding area. Check the leg height against the support blocks prior to setting out, ensuring the support blocks are positioned at the correct height.

Laminex Multipurpose Shower and Toilet Partitioning – Matching Seating

To further complement the unique style and finish of the Laminex Shower Partitioning Systems, a matching strip of bench seating in **Laminex Multipurpose Compact** laminate is supplied with sufficient angle bracket to support the seating with additional brackets to support the ends of the seat.

Care and Maintenance

Once installed, **Laminex Partitioning** systems provide an attractive, durable, hygienic and hard wearing environment.

If you have a soiled surface, built-up grime or a light stain, clean with warm soapy water or a detergent. Hard abrasives are not recommended.

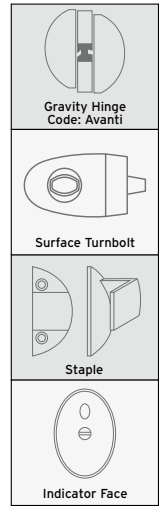
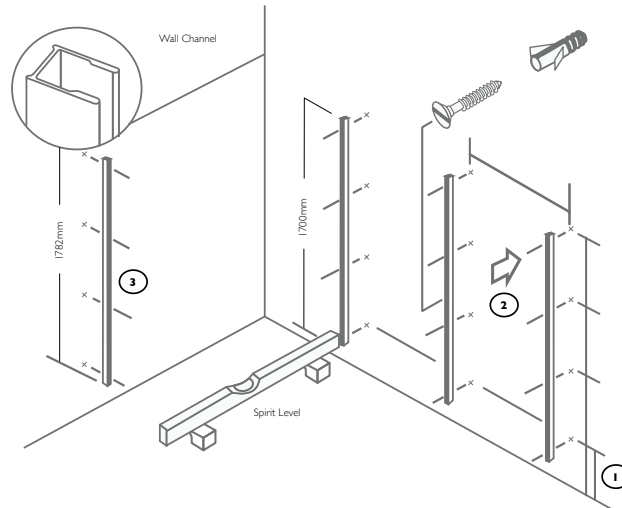
STEP 1

1. Firstly establish the level of the floor taking into account that the legs have adjustment.

As an aid for installers we have included leveling blocks. These leveling blocks are provided to correspond with the leg height. Place these on the floor at the position of the divisional panel and pack to the level of the highest point on the floor. This will determine the height of the rear channel.

2. Locate the wall channels into position according to the measurements and codes on the plans and the back of the channels. Ensure channels are set level and plumb.

3. Screw the 1700mm divisional wall and the 1782mm end nib wall channel to the rear and side walls with 40mm screws (standard heights). Use 6mm masonry bit. Use masonry anchors (raw plugs) to brick or concrete.



Screws Supplied Per Cubicle

Structural			Compact Laminate	
8	8G x 1½ Screws	Channel to wall	8	8G x 1½ Screws
8	Plugs	Channel to wall	8	Plugs
10	10G x 5/8 Screws	Channel to panel	10	10G x ½ Screws
3	6G x ¾ Screws	Headrail to nib	3	6G x ¾ Screws
		Shower seats	14	10G x 5/8 Blunt Screws
		Channel to wall	4	Plugs
		Channel to panel	4	8G x 1½ Screws
		Channel to panel	6	10G x ½ Screws

Assembly Tool Kit Supplied

Qty	Tools
1	1/8" drill for 6g screws
1	5/32" drill for 10g screws
1	Allen key (leg)
1	Phillips screw driver bit
1	Tube silicone

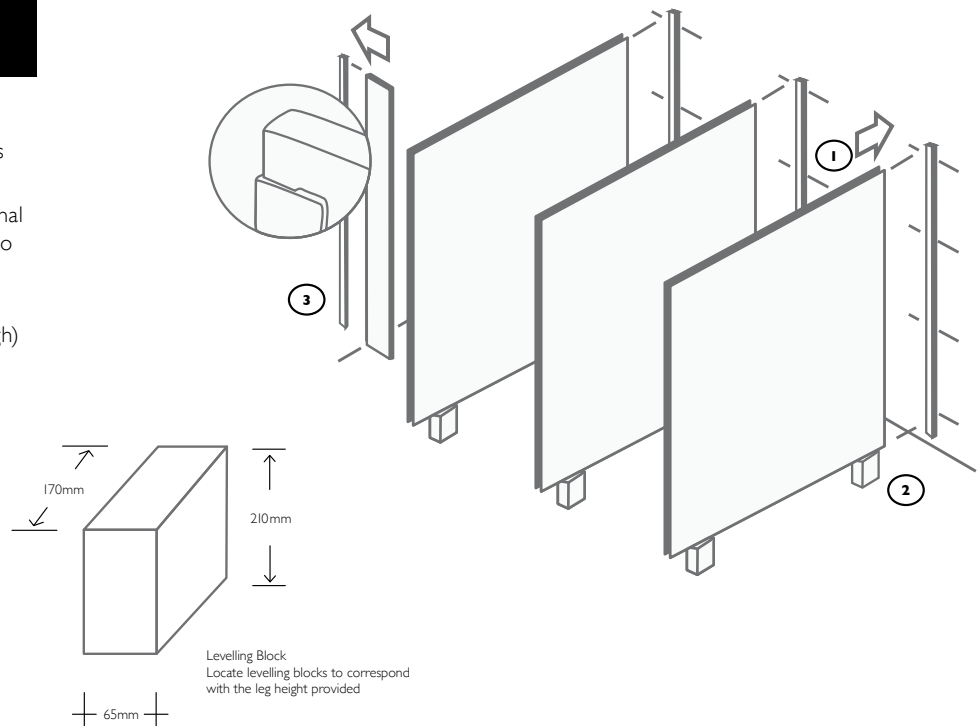
STEP 2

1. Place the divisional panels (standard 1700mm high) into the rear wall channels supported on leveling blocks.

2. It is advisable not to screw the divisional panels off at this stage as you may need to adjust the panels forward to line up the doors and front panels.

3. Fit the end nib (standard 1800mm high) into the side wall channel. Plumb and fix.

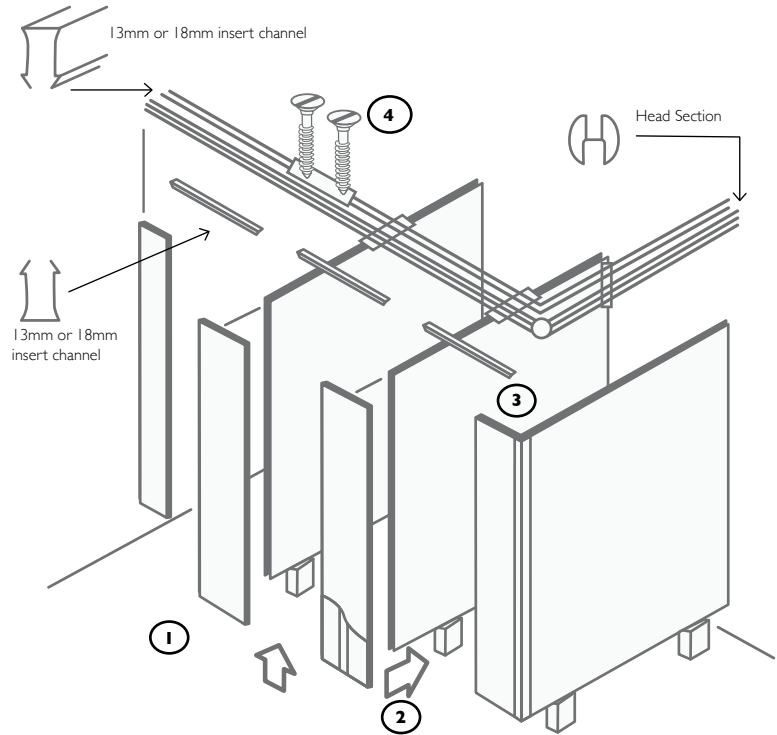
Note: With the Laminex Multipurpose Partitioning System a headrail will be supplied for divisional panels that are over 1800mm deep.



Levelling Block
Locate levelling blocks to correspond with the leg height provided

STEP 3

1. Fit wall channel to frontal as per plan.
2. Fit frontal nib to the divisional partitions and screw fix.
3. Cut head rail to desired length and place in position over the nib and frontals. Screw head rail to nib only at this stage.
4. Place the 605mm 18mm (13mm for Multipurpose & Innovations Compact Laminate) Infill Cap between the nib and first frontal.
5. Push frontal hard up against insert and secure headrail to frontal. Allow 2 screws per frontal and repeat for the remainder of the cubicles.



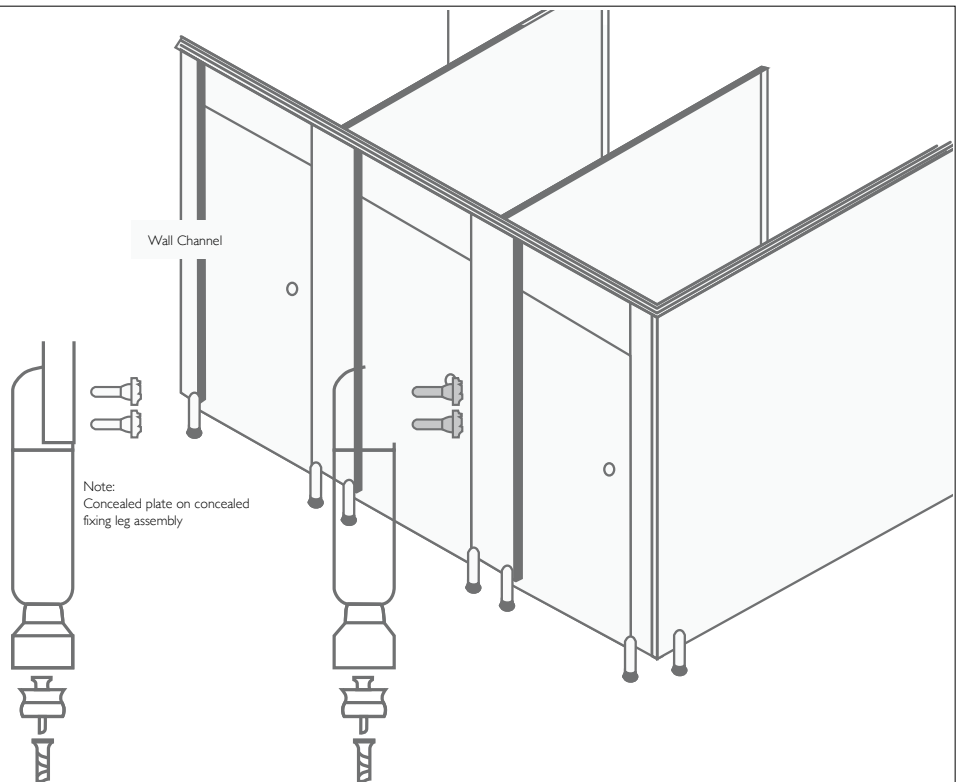
STEP 4

1. Hang doors by fixing the hinges 100mm up from bottom, 100mm from the top and in the centre. When operating properly, secure all divisional panels to the rear channel with 3 screws.

Note: 3 hinges must be used.

2. Fix the indicator locks.
3. When fixing hardware to shower partitioning systems it is advisable to place a small amount of clear silicone in the screw holes prior to fixing.
4. Locate leg position on floor and fix plate to floor (remove leg via grub screw on side of base).
5. Refit leg to base and fix to panel.

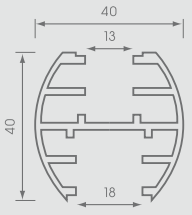
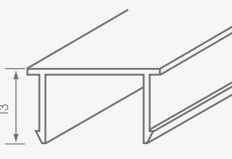
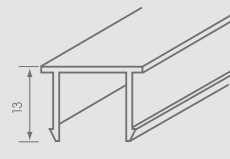
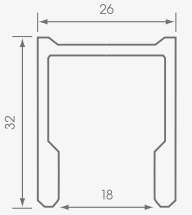
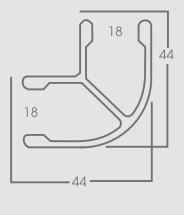
Note: for concealed foot assemblies affix cover plate to back of foot to conceal fixing screws.



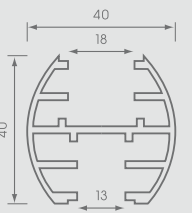
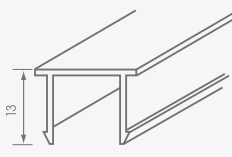
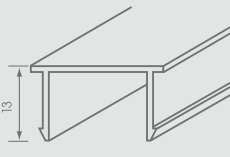
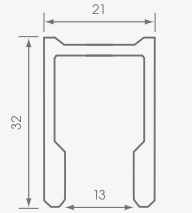
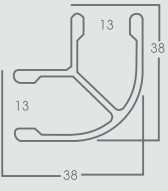
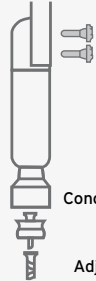

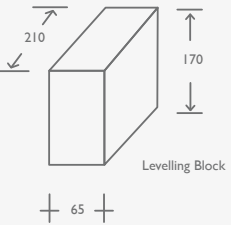
Aluminium Profiles

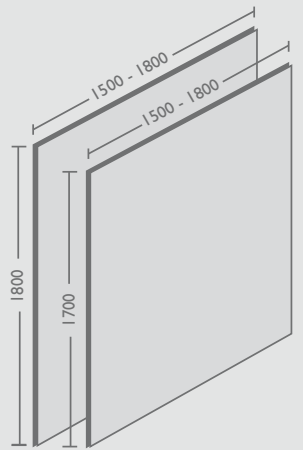
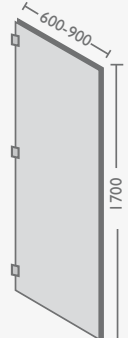
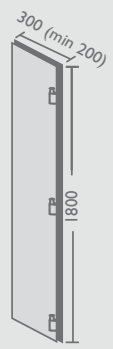
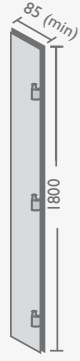
Aluminium profiles for 18mm thick panels

All measurements shown are in mm unless otherwise indicated

 <p>Headrail Section Code: Slimline</p>	 <p>18mm Insert Channel Code: Slimline 18mm Insert</p>	 <p>13mm Insert Channel Code: Slimline 13mm Insert</p>	 <p>18mm Wall Channel Code: P3285</p>	 <p>18mm Corner Section Code: P3285</p>
---	--	--	--	---

Aluminium profiles for 13mm thick panels

 <p>Headrail Section Code: Slimline</p>	 <p>13mm Insert Channel Code: Slimline 13mm Insert</p>	 <p>18mm Insert Channel Code: Slimline 18mm Insert</p>	 <p>13mm Wall Channel Code: P3265</p>	 <p>13mm Corner Section Code: TS32649</p>	 <p>Concealed Option Available Adjustable Leg</p>	 <p>Gravity Hinge Code: Avanti</p>	 <p>Panel Support Block</p>
---	--	--	--	--	---	--	--

 <p>End Divisional Panel Divisional Panel (standard shown)</p>	 <p>Standard Door Size (as shown)</p>	 <p>Frontal (left or right hand)</p>	 <p>Nib (left or right hand)</p>
--	---	---	--

Also available in the Laminex® partitioning range:



Laminex®
Inspire your space

 For more inspiration join us on [facebook.com/thelaminexgroupau](https://www.facebook.com/thelaminexgroupau)

For a sample call 1800 002 204. For more information visit laminex.com.au or call 132 136

Laminex Partitioning Systems are marketed and distributed by Laminex Group Pty Limited ABN 98 004 093 092, trading as Laminex.

The colours of the products featured within the imagery in this brochure are as close to the Laminex Partitioning Systems range as photographic lighting and our printing processes allow. Different camera angles, although not designed to be misleading, can sometimes distort actual size and distances. Laminex Partitioning Systems range is no different than any other material in that darker colours will always show scratches and superficial wear and tear more readily than lighter colours. Laminex Partitioning Systems should be protected from strong, direct sunlight as continuous exposure may cause discolouration or fading to the surface. Please obtain a copy of the terms and conditions of the applicable warranties from laminex.com.au. This warranty is in addition to any rights that may exist under the Australian Consumer Law. Laminex®