

LAMINEX® PARTITIONING SYSTEMS

SMOB - SKIRT MOUNTED, OVERHEAD BRACED



INSTALLATION GUIDE

Laminex®
Inspire your space

STEP 1

Mark out for wall channels to house partitions as per the supplied plan.

Floor Mount Tool Kit Supplied

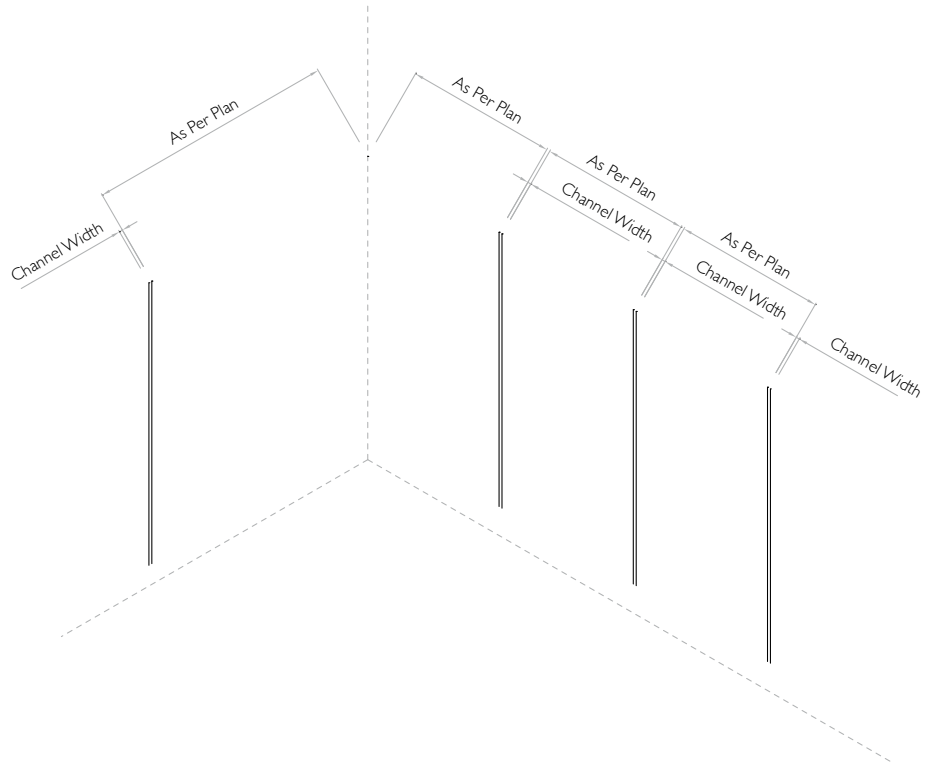
1	Spanner
1	8.5mm drill for bolts
1	5mm Allen key

Assembly Tool Kit Supplied

1	Phillips head screw bit
1	1/8" drill for 6g screws
1	5/32" drill for 10g screws

Screws per cubicle

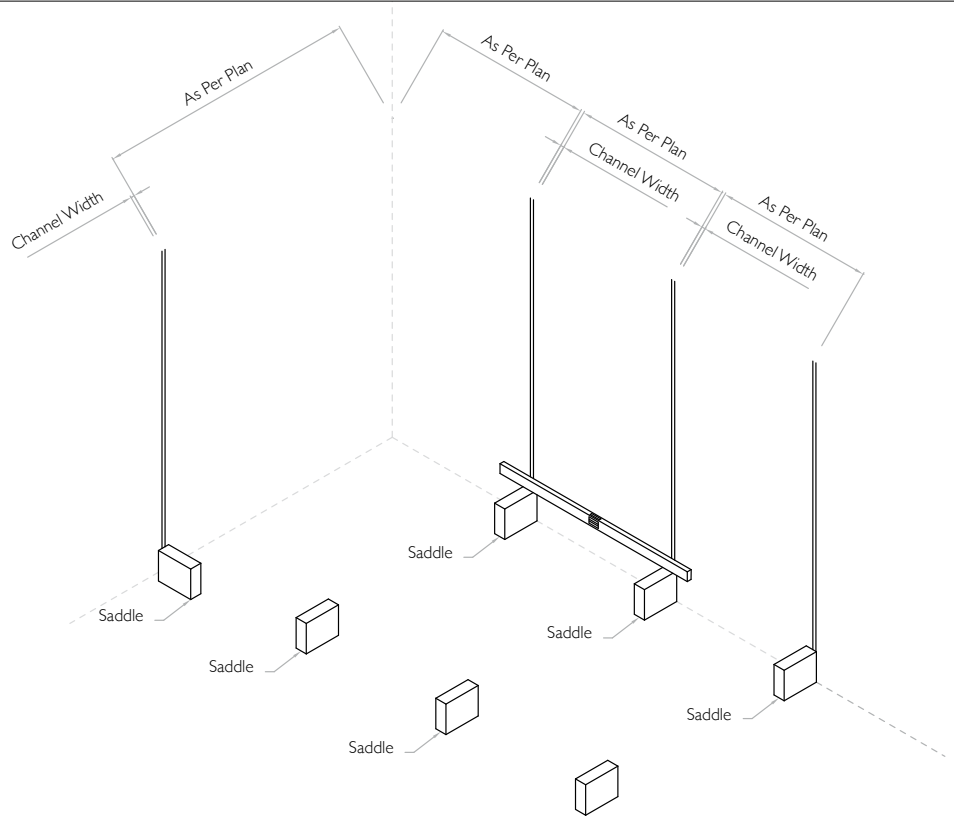
2	8mm short bolts & nuts (top)
12	8g x 1 1/2"
12	6mm green plugs
10	10g channel screws
7	6g x 3/4" screws (headrail)



STEP 2

Position saddles under the channel markings. With a level, find the lowest saddle which is 210mm (standard) or otherwise nominated on the plans.

Level all other saddles down from the lowest saddle so as the nominated saddle height is highest saddle.



STEP 3

Fix channel "A" to back wall by placing on top of the leveled saddles.

DO NOT CUT

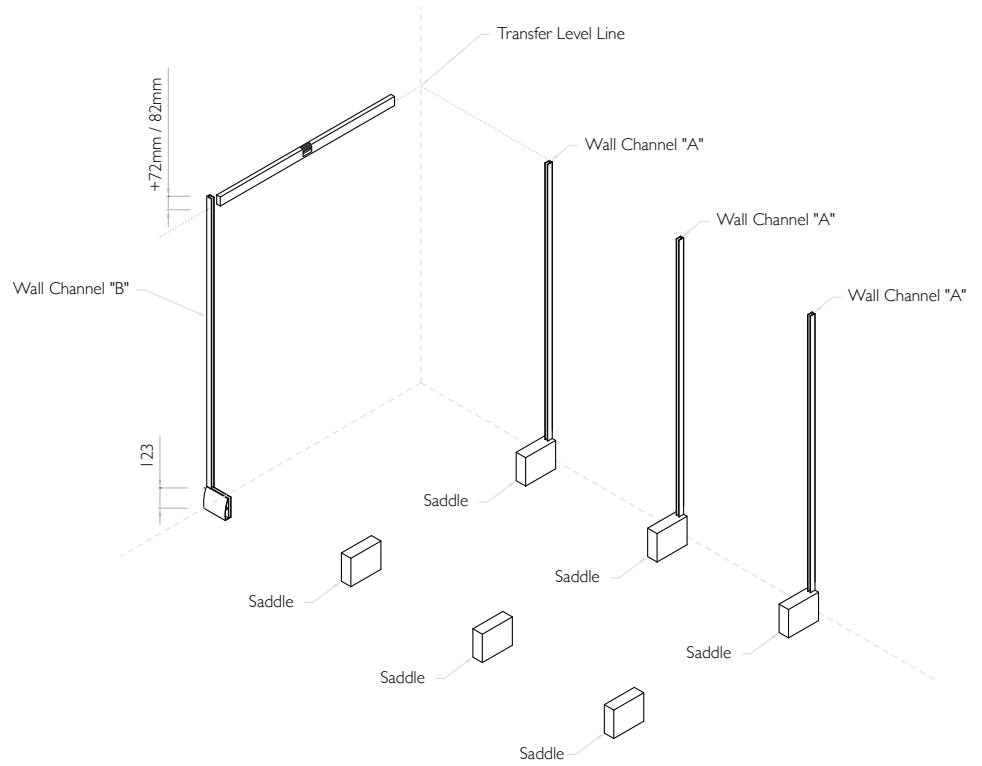
Level across from the top of channel "A" to wall markings for wall channel "B."

From the project line add the tolerance for the provided headrail.

- Square headrail add 72mm
- Slimline headrail (standard) add 82mm

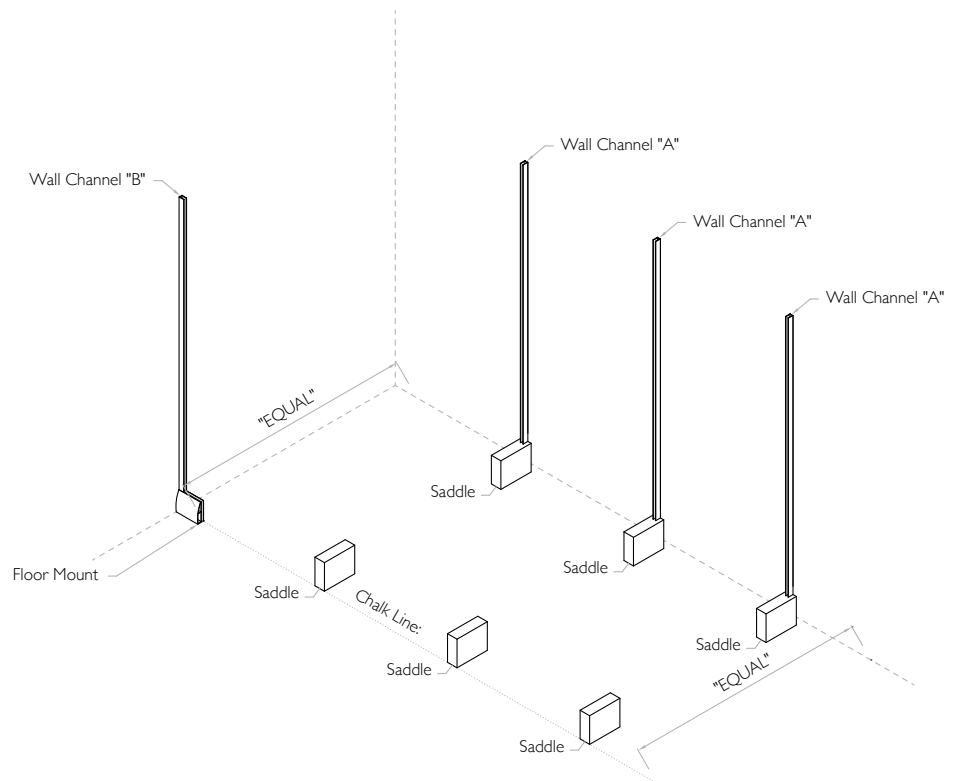
Place floor mount under wall channel "B" to obtain correct cutting length.

Fit wall channel "B" to wall.



STEP 4

Draw a chalk line level with the inside edge of wall channel "B" to an equal distance from the opposite end. This mark will give you the back edge of the floor mounts.



STEP 5

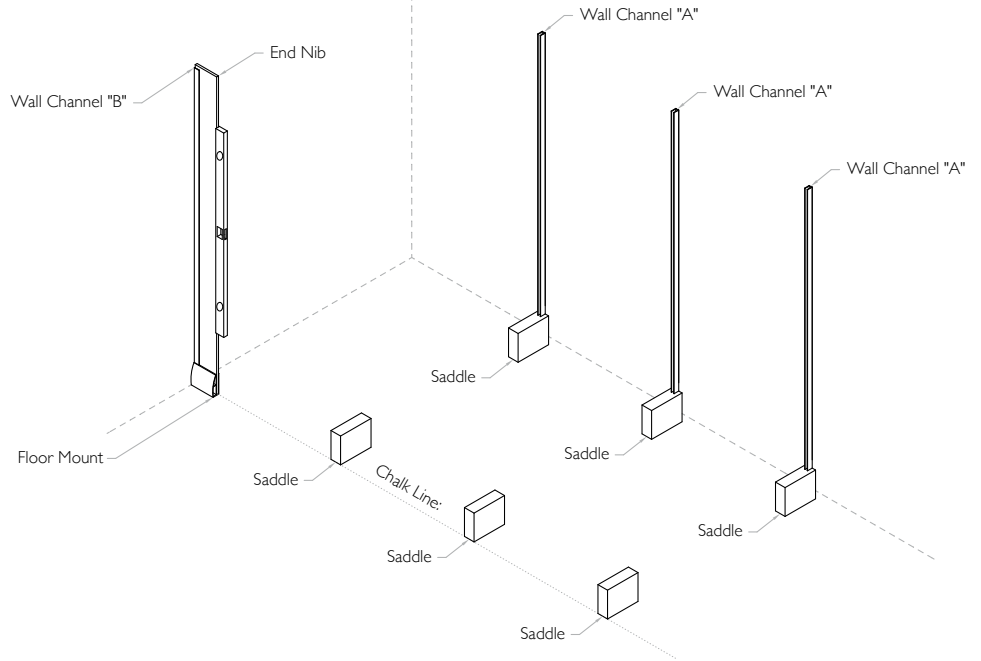
Place end nib into channel and level. Mark floor to get measurement for end floor mount. Cut floor mount 1mm longer. Cut the floor mount on end butting into the wall.

Fit floor mount to floor as per 'Fixing the floor mount system.'

Fit the end nib to the channel and floor mount.

The end nib should be proud of channel "B":

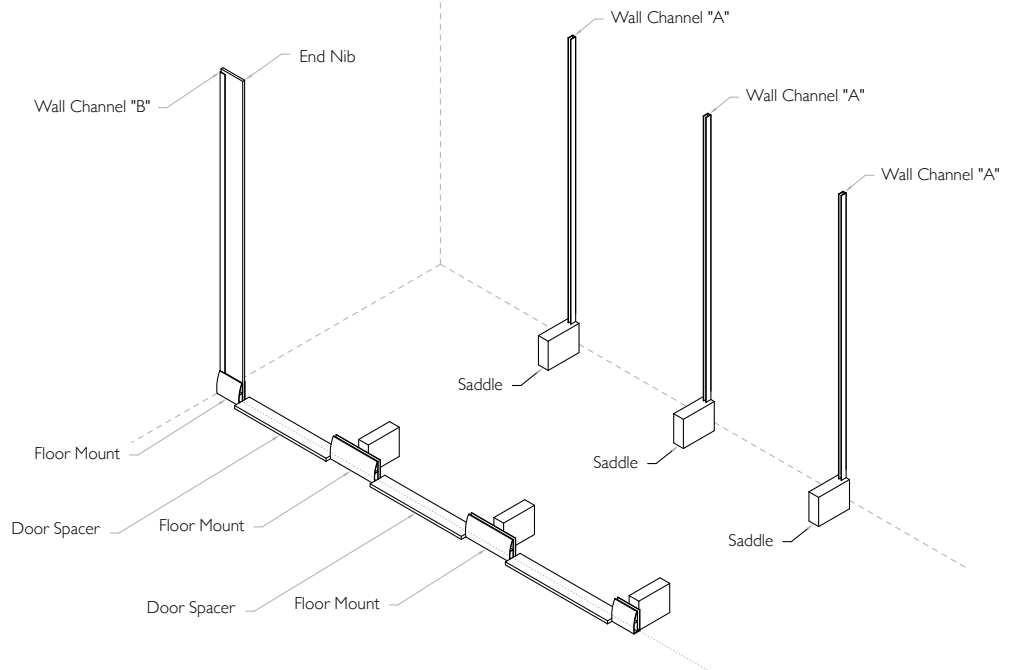
- 18mm for slimline (Standard) headrail
- 28mm for square headrail.



STEP 6

Place door spacers and floor mounts into position to check the overall dimensions.

Centre floor mounts supplied cut to size with 1mm overhang each side of frontal.



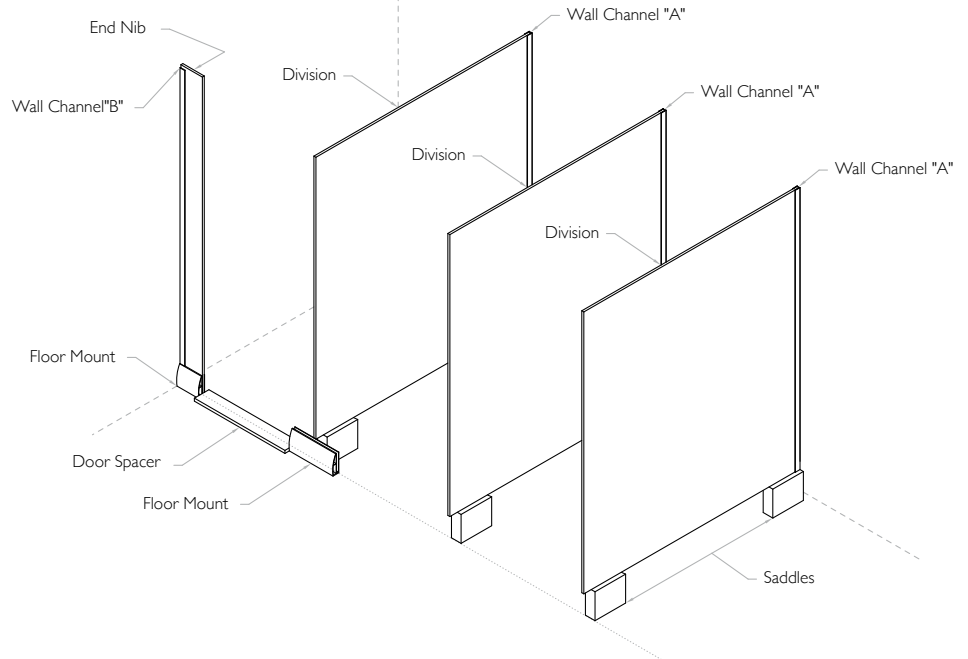
STEP 7

Locate all divisional panels into the rear channels "A" resting onto the saddles.

DO NOT SCREW OFF YET

Fit the floor mount for the corresponding frontal hard against the door spacer.

Ensure that the back is level with the chalk line.



STEP 8

Fit door hardware and hinges to door and nib.

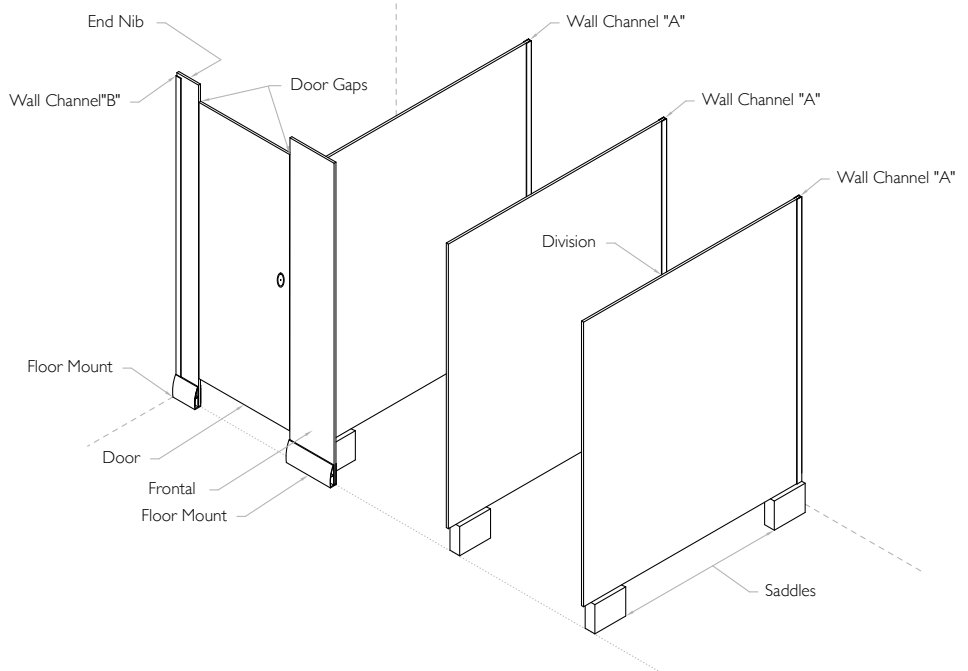
Fit wall channel "A" to the back of the frontal into the pre-drilled holes. Hang the door onto the end nib.

Place frontal over the division into position. Channel "A" should be flush with the top of the division.

Measure from the floor to the height of the division, deduct 10mm for the cutting measurement of the frontal. Material can be cut using a jigsaw ensure that any deduction is made to the bottom of the panel.

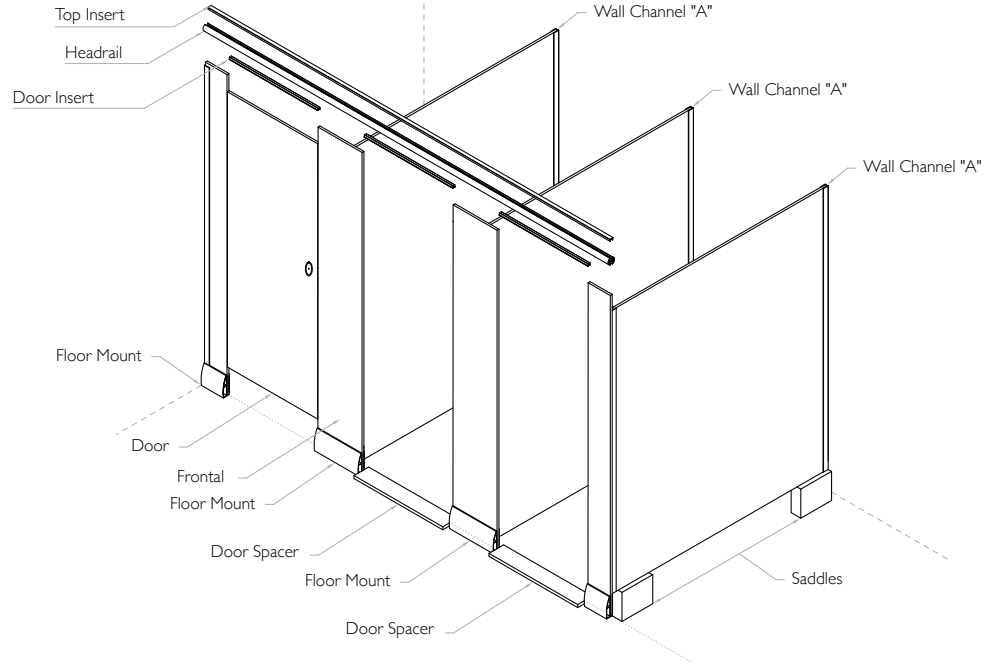
Close the door and use packers between the frontal and door. Door frontal and division should be aligned.

Fit frontal as per fixing the floor mount system.



STEP 9

Fit the headrail over the top of the frontals. Fit door inserts above door openings.



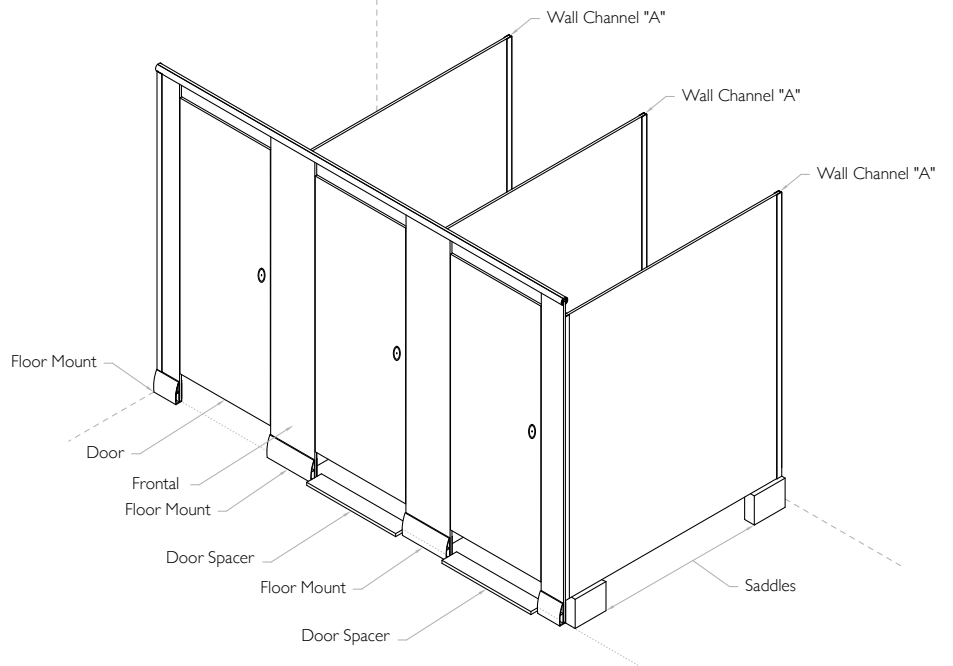
STEP 10

Working from the hinge side, repeat step 8 fitting one door and frontal at a time. The gaps at the top consistent.

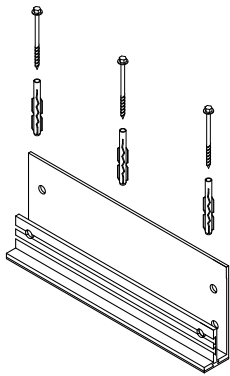
Fit the frontals to the floor mount.

When all cubicles have been assembled, place a string line across the fronts.

Once all of the fronts are aligned, the divisions and end panels can be screwed off from the channels.

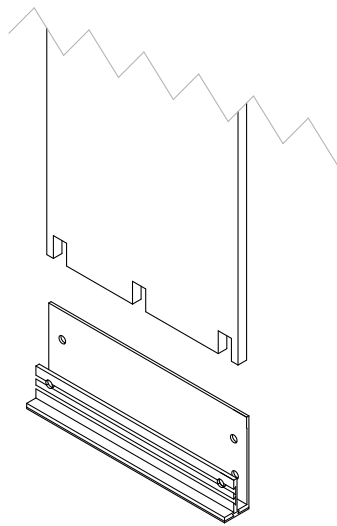


FIXING THE FLOOR MOUNT SYSTEM



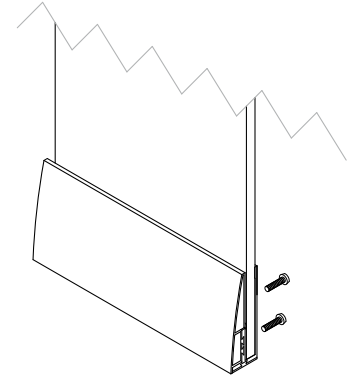
Step 1

Position the backing plate and mark holes. Drill into the floor with the supplied masonry bit. Fit orange plugs into the holes. Apply silicon to underside of the floor mount and fix with coach screws supplied.



Step 2

Fit and scribe the bottom of nibs and frontals to the required site level. (Height-10mm) This will keep the cut edge concealed in the floor mount.



Step 3

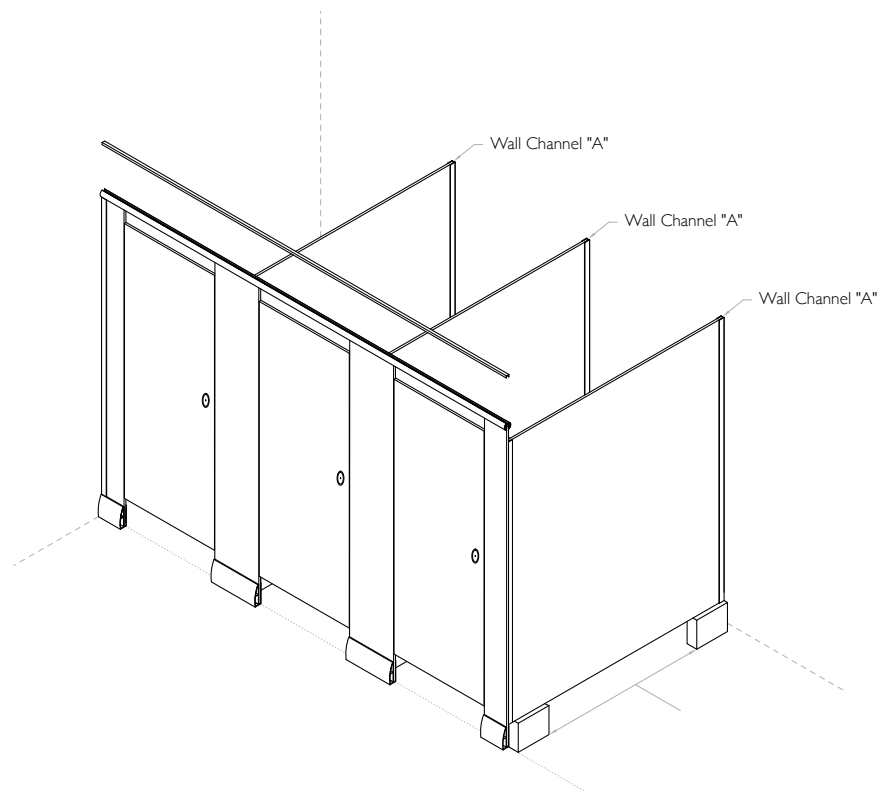
Fit the front plate onto the back plate. Fit board into position and level. Clamp Floor mount to sandwich the board firm. With the 5/32" bit, drill the board through the selected holes provided in the aluminium. Screw fix together.

STEP 12

When all door gaps are equal screw through the top of the head-rail into the top of the frontals and nibs.

Fit the top insert into the head-rail.

Finally fit the floor mount end caps into position.



Also available in the Laminex® partitioning range:



Laminex®
Inspire your space

 For more inspiration join us on [facebook.com/thelaminexgroupau](https://www.facebook.com/thelaminexgroupau)

For a sample call 1800 002 204. For more information visit laminex.com.au or call 132 136

Laminex Partitioning Systems are marketed and distributed by Laminex Group Pty Limited ABN 98 004 093 092, trading as Laminex.

The colours of the products featured within the imagery in this brochure are as close to the Laminex Partitioning Systems range as photographic lighting and our printing processes allow. Different camera angles, although not designed to be misleading, can sometimes distort actual size and distances. Laminex Partitioning Systems range is no different than any other material in that darker colours will always show scratches and superficial wear and tear more readily than lighter colours. Laminex Partitioning Systems should be protected from strong, direct sunlight as continuous exposure may cause discolouration or fading to the surface. Please obtain a copy of the terms and conditions of the applicable warranties from laminex.com.au. This warranty is in addition to any rights that may exist under the Australian Consumer Law. Laminex®